

Attachable indicator model A-AI-1

GB

Aufsteckanzeige Typ A-AI-1

D



Attachable indicator model A-AI-1

GB	Operating instructions model A-AI-1	Page	3 - 22
-----------	--	-------------	---------------

D	Betriebsanleitung Typ A-AI-1	Seite	23 - 42
----------	-------------------------------------	--------------	----------------

© 2011 WIKA Alexander Wiegand SE & Co. KG
All rights reserved. / Alle Rechte vorbehalten.
WIKA® is a registered trademark in various countries.
WIKA® ist eine geschützte Marke in verschiedenen Ländern.

Prior to starting any work, read the operating instructions!
Keep for later use!

Vor Beginn aller Arbeiten Betriebsanleitung lesen!
Zum späteren Gebrauch aufbewahren!

Contents

Contents

1. General information	4
2. Safety	5
2.1 Intended use	5
2.2 Personnel qualification	6
2.3 Special hazards	7
2.4 Labelling / Safety marks	8
3. Specifications	10
4. Design and function	11
4.1 Description	11
4.2 Scope of delivery	12
5. Transport, packaging and storage	12
5.1 Transport	12
5.2 Packaging	12
5.3 Storage	12
6. Commissioning, operation	13
6.1 Electrical connection	13
6.2 Pin assignment	13
6.3 Configuration of the display	15
7. Maintenance and cleaning	18
7.1 Maintenance	18
7.2 Cleaning	18
8. Faults	19
9. Dismounting, return and disposal	20
9.1 Disassembly	20
9.2 Return	20
9.3 Disposal	21
Appendix 1: EC Declaration of conformity for model A-AI-1	22

Declarations of conformity can be found online at www.wika.com.

WIKA operating instructions attachable indicator model A-AI-1	3
---	---

2018357_06.08/2012_GB/D

1. General information

1. General information

GB

- The model A-AI-1 attachable indicator described in the operating instructions has been manufactured using state-of-the-art technology. All components are subject to stringent quality and environmental criteria during production. Our management systems are certified to ISO 9001 and ISO 14001.
- These operating instructions contain important information on handling the instrument. Working safely requires that all safety instructions and work instructions are observed.
- Observe the relevant local accident prevention regulations and general safety regulations for the instrument's range of use.
- The operating instructions are part of the product and must be kept in the immediate vicinity of the instrument and readily accessible to skilled personnel at any time.
- Skilled personnel must have carefully read and understood the operating instructions prior to beginning any work.
- The manufacturer's liability is void in the case of any damage caused by using the product contrary to its intended use, non-compliance with these operating instructions, assignment of insufficiently qualified skilled personnel or unauthorised modifications to the instrument.
- The general terms and conditions, contained in the sales documentation, shall apply.
- Subject to technical modifications.
- Further information:

- Internet address:	www.wika.de / www.wika.com
- Relevant data sheet:	AC 80.07
- Application consultant:	Tel.: (+49) 9372/132-9986
	Fax: (+49) 9372/132-8767
	E-mail: info@wika.de

2018357.06.08/2012 GB/D

1. General information / 2. Safety**Explanation of symbols****WARNING!**

... indicates a potentially dangerous situation that can result in serious injury or death, if not avoided.

**CAUTION!**

... indicates a potentially dangerous situation that can result in light injuries or damage to equipment or the environment, if not avoided.

**Information**

... points out useful tips, recommendations and information for efficient and trouble-free operation.

**DANGER!**

... identifies hazards caused by electric power. Should the safety instructions not be observed, there is a risk of serious or fatal injury.

GB**2. Safety****WARNING!**

Before installation, commissioning and operation, ensure that the appropriate instrument has been selected in terms of measuring range, design and specific measuring conditions. Non-observance can result in serious injury and/or damage to the equipment.



Further important safety instructions can be found in the individual chapters of these operating instructions.

2.1 Intended use

The model A-AI-1 attachable indicator is suitable for insertion between a transmitter and the corresponding output connector (angular connector).

2018357.06.08/2012 GB/D

2. Safety

The instrument has been designed and built solely for the intended use described here, and may only be used accordingly.

The technical specifications contained in these operating instructions must be observed. Improper handling or operation of the attachable indicator outside of its technical specifications requires the instrument to be taken out of service immediately and inspected by an authorised WIKA service engineer.

GB

Handle electronic precision measuring instruments with the required care (protect from humidity, impacts, strong magnetic fields, static electricity and extreme temperatures, do not insert any objects into the instrument or its openings). Plugs and sockets must be protected from contamination.

If the instrument is transported from a cold into a warm environment, the formation of condensation may result in instrument malfunction. Before putting it back into operation, wait for the instrument temperature and the room temperature to equalise.

The manufacturer shall not be liable for claims of any type based on operation contrary to the intended use.

2.2 Personnel qualification



WARNING!

Risk of injury should qualification be insufficient!

Improper handling can result in considerable injury and damage to equipment.

- The activities described in these operating instructions may only be carried out by skilled personnel who have the qualifications described below.
- Keep unqualified personnel away from hazardous areas.

Skilled electrical personnel

Skilled electrical personnel are understood to be personnel who, based on their technical training, know-how and experience as well as their knowledge of country-specific regulations, current standards and directives, are capable of carrying out work on electrical systems and independently recognising and avoiding potential hazards.

2. Safety

The skilled electrical personnel have been specifically trained for the work environment they are working in and know the relevant standards and regulations.

The skilled electrical personnel must comply with current legal accident prevention regulations.

GB

2.3 Special hazards

**DANGER!**

Danger of death caused by electric current

Upon contact with live parts, there is a direct danger of death. The instrument may only be installed and mounted by skilled personnel.

**WARNING!**

Do not use this instrument in safety or Emergency Stop devices. Incorrect use of the instrument can result in injury or material damage.

This instrument has been designed and tested in accordance with the relevant safety regulations for electronic measuring instruments.

The trouble-free operation and reliability of the instrument can only be guaranteed if the general safety measures and the instrument-specific safety instructions given in this manual are followed.

**WARNING!**

- Observe the working conditions in accordance with chapter 3 "Specifications".
- Prior to opening the instrument, disconnect it from the power supply. Take care that, in fitting the instrument and connections, all components are protected against direct contact.
- Observe standard regulations and safety rules for electrical, low-power and high-power systems, especially any country-specific safety regulations (for example VDE 0100).

2018357_06 08/2012 GB/D

2. Safety



WARNING!

- Design the wiring particularly carefully when connecting to other devices (e.g. a PC). Under certain circumstances, internal connections in third-party devices (e.g. GND connected to the safety earth) can lead to impermissible voltages.
- If the connected cable is longer than 30 metres, or it runs outside the building, an additional and suitable overvoltage protection should be provided.

GB

The safety of the operator may be endangered if, for example:

- there is visible damage to the instrument.
- the instrument is not working as specified.
- the instrument has been stored under unsuitable conditions for an extended period of time.

If there is any doubt, please return the instrument to the manufacturer for repair or maintenance.

2.4 Labelling / Safety marks

2.4.1 Product label

WIKAI	CE	← For an explanation of symbols, see next page
Digital-Anzeige/Indicator A-AI-1		
Eingang/Input	: 4 ... 20 mA	← Input current
	2-Leiter/-wire	
Spannungsabfall/Voltage Drop:	DC 2 V	← Voltage supply
Bestell-/Order Code	: A-AI-1-HZ-Z	← Order code
Bestell-Nr./Order No.	: 7082534	← Order no.
Serien-Nr./Serial No.	: 1234567	← Serial no.
→	YYYY-MM	← Date of manufacture
<small>WIKAI, Alexander Wiegand SE & Co. KG D-63911 Klingenberg Made in Germany</small>		

2018357.06.08/2012 GB/D

2. Safety / 3. Specifications

2.4.2 Explanation of symbols



Before mounting and commissioning the instrument, ensure you read the operating instructions!



CE, Communauté Européenne

Instruments bearing this mark comply with the relevant European directives.

GB

3. Specifications

Attachable indicator

Display

Principle	7-segment LCD, 4-digit, character size 10 mm
Indication range	-1999 ... 9999
Accuracy	±0.2 % of the measuring span ±1 digit
Measuring rate	5 measurements/sec

Voltage supply

Electrical connection	To transmitters with 4 ... 20 mA output and angular connector to DIN 17 5301-803 A.
Power supply	Not required, since the attachable indicator is powered by the 4 ... 20 mA loop
Voltage drop	approx. DC 2 V
Permitted current carrying capacity	max. 40 mA

Case

Material	ABS, front window from polycarbonate
Ingress protection	IP 65 per EN 60 529 / IEC 529
Dimensions	48.5 x 48.5 mm
Weight	approx. 80 g

2018357.06.08/2012 GB/D

3. Specifications

Permissible ambient conditions

Operating temperature	0 ... 50 °C
Storage temperature	-20 ... +70 °C
Relative humidity	< 80 % r.h. non-condensing
Temperature effect on the indication	0.1 % / 10 K

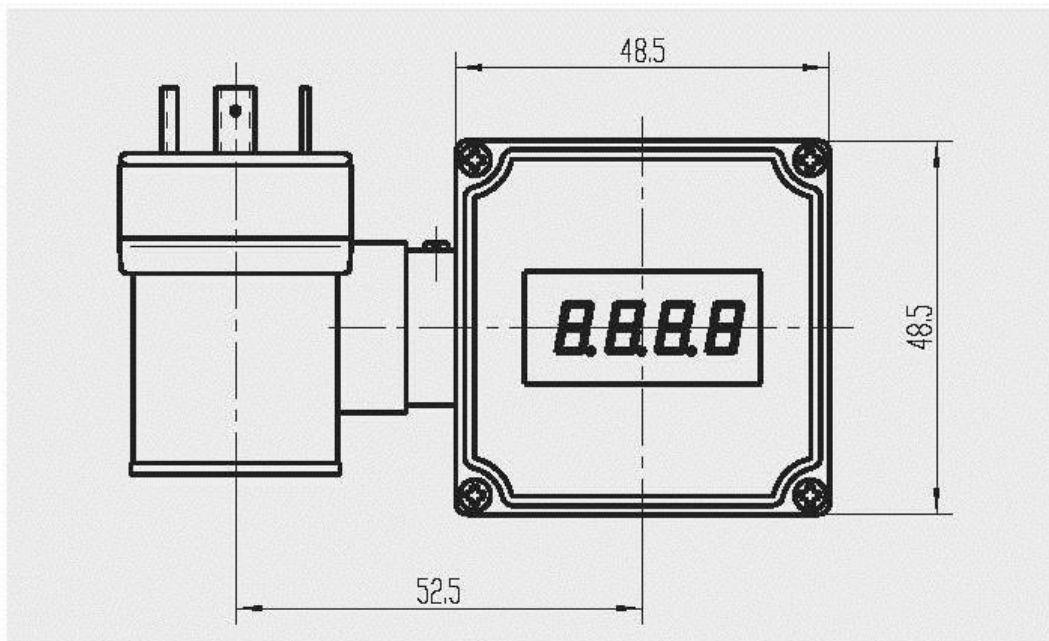
GB

CE conformity

EMC directive	2004/108/EC, EN 61326 emission (group 1, class B) and interference immunity (industrial application)
---------------	--

For further specifications see WIKA data sheet AC 80.07 and the order documentation.

Dimensions in mm



2018357.06 08/2012 GB/D

4. Design and function

4. Design and function

4.1 Description

The model A-AI-1 attachable indicator is a general-purpose, microprocessor-controlled indicator for standard 4 ... 20 mA signals. It does not require its own power supply, but rather, it is powered directly from the measuring current. The display of the measured value is made on a 4-digit LCD display with a maximum indication range of -1999 ... 9999 digits.

GB

The A-AI-1 has been designed for the connection of any transmitter (with 4 ... 20 mA output). The matching of the indicator range to the transmitter is made without external aids through the direct input of the upper and lower measuring range limits and the decimal point. The parameters and limit values are entered using three keys, accessible on removal of the cover. All programmable parameters are saved in an EEPROM and are retained in the event of a loss of power (for a minimum of 10 years).

The attachable indicator has its own integrated self-diagnostics, which continuously checks that the key components of the instrument are working properly. The integrated self-diagnostics, as well as the reporting of an over-range or under-range condition, ensure high operational safety.

The attachable indicator is delivered tested and fully calibrated. It is therefore ready for operation, though it must first be configured for the particular application. See chapter 6.3 "Configuration of the display".

4.2 Scope of delivery

The scope of delivery includes the following components:

- Attachable indicator
- 2 mounting screws (68 mm and 75 mm)
- Blue profile sealing
- Operating instructions

Cross-check scope of delivery with the delivery note.

2018357.06.08/2012.GB/D

5. Transport, packaging and storage

5. Transport, packaging and storage

5.1 Transport

Check the attachable indicator for any damage that may have been caused during transportation. Obvious damage must be reported immediately.

GB

5.2 Packaging

Do not remove packaging until just before mounting.

Keep the packaging as it will provide optimum protection during transport (e.g. change in installation site, sending for repair).

5.3 Storage

Permissible conditions at the place of storage:

- Storage temperature: -20 ... +70 °C
- Humidity: 0 ... 80 % r. h. (non-condensing)

Avoid exposure to the following factors:

- Direct sunlight or proximity to hot objects
- Mechanical vibration, mechanical shock (putting it down hard)
- Soot, vapour, dust and corrosive gases
- Potentially explosive environments, flammable atmospheres

Store the attachable indicator in its original packaging in a location that fulfils the conditions listed above. If the original packaging is not available, pack and store the instrument as described below:

1. Wrap the instrument in an antistatic plastic film.
2. Place the instrument, along with shock-absorbent material, in the packaging.
3. If stored for a prolonged period of time (more than 30 days), place a bag containing a desiccant inside the packaging.



WARNING!

Before storing the instrument (following operation), remove any residual media. This is of particular importance if the medium is hazardous to health, e.g. caustic, toxic, carcinogenic, radioactive, etc.

2018367.06.08/2012.GB/D

6. Commissioning, operation

6. Commissioning, operation

6.1 Electrical connection

The connection of the attachable indicator is made via simply plugging it between an existing transmitter and connector using a specific adapter design for connectors to DIN 175301-803 A.

No separate power supply is needed since the instrument is powered directly from the measuring current.

GB


The connection and commissioning should only be carried out by skilled, qualified personnel. An incorrect connection could damage the indicator.



CAUTION!

Note the maximum permissible input current of 40 mA!

6.2 Pin assignment

The assignment of the angular connector is designed for the most commonly-used configuration for the respective input signal. Since this assignment is not standardised, it can happen that the assignment for the connected transmitter does not match the assignment of the attachable indicator.

Standard assignment for the model A-AI-1 angular connector

Contact no.	Wiring colour	Pin	Female connector
1	grey	display +	display -
2	red	connected	
3	--	n.c.	n.c.
4	--	n.c.	n.c.

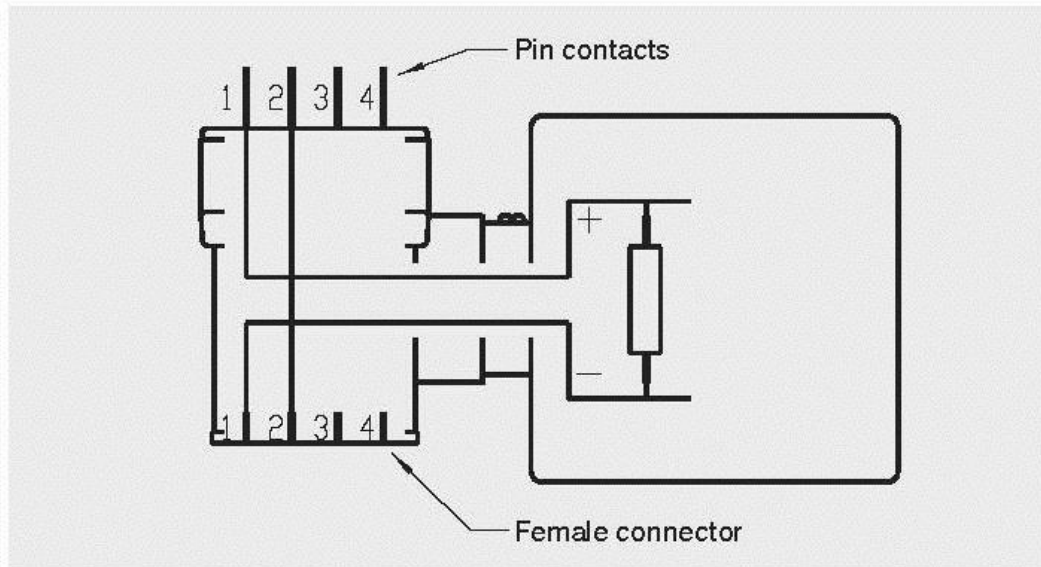
n.c. = not connected

2018357.06.08/2012.GB/D

6. Commissioning, operation

In the angular connector, the pin contact 2 is directly connected (1:1) with the female contact. Between pin contact 1 (+) and female contact 1 (-) is the A-AI-1.

GB



If the transmitter to be connected does not have the negative power terminal on contact 2 and the positive power terminal is not on contact 1, then the assignment of the A-AI-1 angular connector and the external angular connector must be matched accordingly. To do this, open the A-AI-1 angular connector and exchange the wires from contact 1 and contact 2, so that these match the connection of the transmitter to be attached.

Now wire both contacts in the angular connector accordingly.

General information on changing the angular connector assignment

Lift out the coupling assembly using a screwdriver in the recess on the side. Change the assignment in line with the instructions for the relevant input signal.

Then snap the coupling assembly back into the cover. There are 4 different output orientations to choose from - each at 90° to each other. Attach the angular connector and screw the connector together using the long bolt delivered with the unit (don't forget the seals).

2018357.06.08/20.12 GB/D

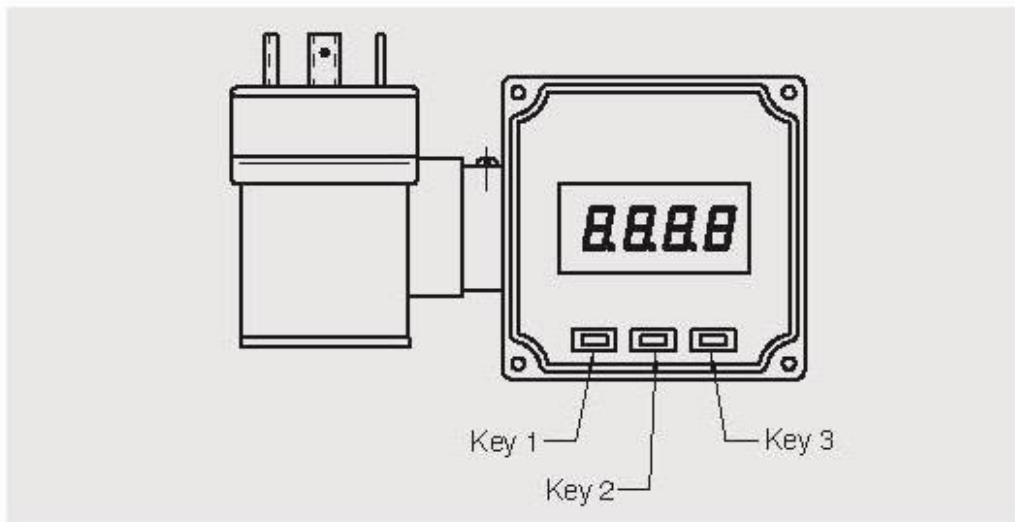
6. Commissioning, operation

6.3 Configuration of the display

To configure the instrument, the cover must first be carefully removed, in order that the keys behind it can be reached. To do this, the four screws on the corners of the case must be removed.

Operating keys

- Key 1: Calling menu options and saving settings
Key 2: Increasing the parameter values
Key 3: Decreasing the parameter values

GB

Once the cover has been removed, to configure the instrument continue as follows:

- To access the menu, while the actual value is displayed, press key 2 for 2 seconds until "dP" appears in the display.
- To set the parameter values, press keys 2 and 3.
- To save the set value, press key 1. The parameter name will then appear in the display once more.
- To get to the next parameter to change, press key 1. The name of the parameter will appear in the display.




If, during input, no key is pressed for 60 seconds, the configuration of the instrument will be interrupted. Previously-saved values will not be lost.

2018357.06.08./2012.GB/D

6. Commissioning, operation

Parameters of the A-AI-1 attachable indicator

GB

Parameters	Values	Description
Key 1	Keys 2 and 3	
dP		Position of the decimal point (decimal point)
	----	Max. indication range: -1999 ... 9999
	---.	Max. indication range: -199.9 ... 999.9
	--.---	Max. indication range: -19.99 ... 99.99
	-.---	Max. indication range: -1.999 ... 9.999
di.Lo		Lower indication range limit (display low)
	-1999 ... 9999	This value will be displayed when the input signal = 4 mA
di.Hi		Upper indication range limit (display high)
	-1999 ... 9999	This value will be displayed when the input signal = 20 mA
Li		Measuring range limit (limit)
	oFF	deactivated Exceeding the measuring range limits is permitted up to the measuring limit (see note)
	on.Er	active, (error display): The measuring range is limited exactly to the input signal. When this exceeds or drops below it, a corresponding error message is displayed.
	on.rG	active, (display measuring range limits): The measuring range is limited exactly to the input signal. When this exceeds or drops below it, the indication range limit is displayed. (e.g. for a humidity of 0 ... 100 % r.H: by dropping below the limit 0 is displayed, and by exceeding it 100 is displayed.
		When the measuring limits are exceeded (at either end), independently of the limit settings, the corresponding error message appears (" Err.1 " or " Err.2 "). The measuring limits are between approx. 3.7 and 20.8 mA.
FiLt		Filter (filter)
	oFF	Filter deactivated
	0.1 ... 2.0	Activate the filter in order to prevent the display from 'jumping' with every small fluctuation and to suppress single spikes. The larger the number, the stronger the filtering.

2018357.06.08/2012_GB/D

6. Commissioning, operation

Offset and slope correction

The offset and slope correction is used to compensate for sensor tolerances and for the fine adjustment of deviations of the transmitter or signal transducer.

To set the offset and slope correction, carry out the following:

- While the actual value is being displayed, press key 3 for 2 seconds, until "oFFS" appears in the display.
- To set the parameter values, press keys 2 and 3.
- To save the set value, press key 1. The parameter name will then appear in the display once more.
- To get to the next parameter to change, press key 1. The name of the parameter will appear in the display.

GB

Parameters	Values	Description
Key 1	Keys 2 and 3	
oFFS	Zero offset (offset)	
	-5.00 ... 5.00	The input of the offset is made in digits. The set offset value is subtracted from the measured value.
ScAL	Slope (scale)	
	-5.00 ... 5.00	The input of the slope correction factor is made in %. The displayed value is calculated as per the following equation: Display = (measured value - Offset - di.Lo) * (1 + slope correction [% / 100]) + di.Lo

Example for offset and slope correction

Connection of a pressure transmitter

The instrument display without offset and slope correction is as follows:
 at 0 bar = 0.08, at 20 bar = 20.02

From this is calculated:

Zero point: 0.08
 Slope: $20.02 - 0.08 = 19.94$
 Deviation: 0.06 = set slope - actual slope = $20.00 - 19.94$

Therefore the following should be set:

Offset = 0.08 = zero error
 Scale = 0.30 = deviation/actual slope = $0.06 / 19.94 = 0.0030 = 0.30\%$

2018357.06.08/2012.GB/D

6. Commissioning, operation / 7. Maintenance and cleaning

Min/Max value memory

The instrument has a Min/Max value memory. In this are stored the lowest and the highest displayed values. The Min/Max value memory is a volatile memory, meaning the stored values are lost when the power is interrupted.

GB

	Key	Display
To recall Min value:	Press key 3 briefly	"Lo" will be displayed briefly and then for approx. 2 s the Min value will be shown.
To recall Max value:	Press key 2 briefly	"Hi" will be displayed briefly and then for approx. 2 s the Max value will be shown.
To delete the Min/Max values:	Press keys 2 and 3 simultaneously for 2 s.	"CLR" will briefly be shown in the display, the Min/Max value will be reset to the current display value.

7. Maintenance and cleaning

7.1 Maintenance

This attachable indicator is maintenance-free.
Repairs must only be carried out by the manufacturer.

7.2 Cleaning



CAUTION!

- Prior to cleaning, disconnect the attachable indicator from the mains.
- Clean the attachable indicator with a moist cloth.
- Electrical connections must not come into contact with moisture.



For information on returning the attachable indicator see chapter 9.2 "Return".

2018367.06.08/2012 GB/D

8. Faults

8. Faults

If the instrument detects any fault conditions, the corresponding error code will be displayed.

The following error codes are defined:

Error	Causes	Measures
Err.1 Measuring range exceeded	<ul style="list-style-type: none"> ■ Input signal too high ■ Faulty connection 	<ul style="list-style-type: none"> ■ The error message will reset itself once the input signal is once more within the permissible limits. ■ Check the transmitter and the instrument configuration (e.g. input signal).
Err.2 Measured value below allowable range	<ul style="list-style-type: none"> ■ Input signal too low, or negative ■ Current less than 4 mA ■ Sensor burnout 	<ul style="list-style-type: none"> ■ The error message will reset itself once the input signal is once more within the permissible limits. ■ Check the transmitter and the instrument configuration (e.g. input signal).
Err.3 Indication range exceeded	<ul style="list-style-type: none"> ■ Scaling incorrect 	<ul style="list-style-type: none"> ■ The error message will be reset once the display value is once more < 9999.
Err.4 Under the indication range	<ul style="list-style-type: none"> ■ Scaling incorrect 	<ul style="list-style-type: none"> ■ The error message will reset itself once the display value is once more within the permissible limits.
Err.7 System error	<ul style="list-style-type: none"> ■ Permissible operating temperature too high or too low. ■ Instrument faulty 	<ul style="list-style-type: none"> ■ Abide by the operating temperature limits ■ Replace instrument
Err.11 Value could not be calculated	<ul style="list-style-type: none"> ■ Scaling incorrect 	<ul style="list-style-type: none"> ■ Check the setting and the input signal

GB

2018357_06.08/2012_GB/D

8. Faults / 9. Dismounting, return and disposal



CAUTION!

If faults cannot be eliminated by means of the measures listed above, the attachable indicator must be shut down immediately, and it must be ensured that signal is no longer present, and it must be prevented from being inadvertently put back into service.

In this case, contact the manufacturer.

If a return is needed, follow the instructions given in chapter 9.2 "Returns".

GB

9. Dismounting, return and disposal



WARNING!

Residual media in dismantled instruments can result in a risk to persons, the environment and equipment.
Take sufficient precautionary measures.

9.1 Dismounting

First disconnect the power supply, then loosen the angle screw, with which the angular connector, attachable indicator and transmitter are connected. Remove the plug and the attachable indicator. Then replace the angular connector onto the transmitter and secure it. For this, use the screw originally supplied with the transmitter, it is shorter.

9.2 Returns



WARNING!

Strictly observe the following when shipping the attachable indicator:

All instruments delivered to WIK A must be free from any kind of hazardous substances (acids, leachate, solutions, etc.).

When returning the instrument, use the original packaging or a suitable transport package.

9. Dismounting, return and disposal

To avoid damage:

1. Wrap the instrument in an antistatic plastic film.
2. Place the instrument, along with shock-absorbent material, in the packaging. Place shock-absorbent material evenly on all sides of the shipping box.
3. If possible, place a bag containing a desiccant inside the packaging.
4. Label the shipment as transport of a highly-sensitive measuring instrument.

GB

Information on returns can be found under the heading "Service" on our local website.

9.3 Disposal

Incorrect disposal can put the environment at risk.

Dispose of instrument components and packaging materials in an environmentally compatible way and in accordance with the country-specific waste disposal regulations.

Inhalt

Inhalt

1. Allgemeines	24
2. Sicherheit	25
2.1 Bestimmungsgemäße Verwendung	25
2.2 Personalqualifikation	26
2.3 Besondere Gefahren	27
2.4 Beschilderung / Sicherheitskennzeichnungen	28
3. Technische Daten	30
4. Aufbau und Funktion	31
4.1 Beschreibung	31
4.2 Lieferumfang	32
5. Transport, Verpackung und Lagerung	32
5.1 Transport	32
5.2 Verpackung	32
5.3 Lagerung	32
6. Inbetriebnahme, Betrieb	33
6.1 Elektrischer Anschluss	33
6.2 Anschlussbelegung	33
6.3 Konfiguration der Anzeige	35
7. Wartung und Reinigung	38
7.1 Wartung	38
7.2 Reinigung	38
8. Störungen	39
9. Demontage, Rücksendung und Entsorgung	40
9.1 Demontage	40
9.2 Rücksendung	40
9.3 Entsorgung	41
Anlage 1: EG-Konformitätserklärung Typ A-AI-1	42

Konformitätserklärungen finden Sie online unter www.wika.de.

WIKA Betriebsanleitung Aufsteckanzeige Typ A-AI-1	23
---	----

1. Allgemeines

1. Allgemeines

- Die in der Betriebsanleitung beschriebene Aufsteckanzeige Typ A-AI-1 wird nach dem aktuellen Stand der Technik gefertigt. Alle Komponenten unterliegen während der Fertigung strengen Qualitäts- und Umweltkriterien. Unsere Managementsysteme sind nach ISO 9001 und ISO 14001 zertifiziert.

D ■ Diese Betriebsanleitung gibt wichtige Hinweise zum Umgang mit dem Gerät. Voraussetzung für sicheres Arbeiten ist die Einhaltung aller angegebenen Sicherheitshinweise und Handlungsanweisungen.

- Die für den Einsatzbereich des Gerätes geltenden örtlichen Unfallverhütungsvorschriften und allgemeinen Sicherheitsbestimmungen einhalten.
- Die Betriebsanleitung ist Produktbestandteil und muss in unmittelbarer Nähe des Gerätes für das Fachpersonal jederzeit zugänglich aufbewahrt werden.
- Das Fachpersonal muss die Betriebsanleitung vor Beginn aller Arbeiten sorgfältig durchgelesen und verstanden haben.
- Die Haftung des Herstellers erlischt bei Schäden durch bestimmungswidrige Verwendung, Nichtbeachten dieser Betriebsanleitung, Einsatz ungenügend qualifizierten Fachpersonals sowie eigenmächtiger Veränderung am Gerät.
- Es gelten die allgemeinen Geschäftsbedingungen in den Verkaufsunterlagen.
- Technische Änderungen vorbehalten.

- Weitere Informationen:

- Internet-Adresse:	www.wika.de / www.wika.com
- zugehöriges Datenblatt:	AC 80.07
- Anwendungsberater:	Tel.: (+49) 9372/132-9986
	Fax: (+49) 9372/132-8767
	E-Mail: info@wika.de

2018957.06.08/2012 GB/D

1. Allgemeines / 2. Sicherheit

Symbolerklärung



WARNUNG!

... weist auf eine möglicherweise gefährliche Situation hin, die zum Tod oder zu schweren Verletzungen führen kann, wenn sie nicht gemieden wird.



VORSICHT!

... weist auf eine möglicherweise gefährliche Situation hin, die zu geringfügigen oder leichten Verletzungen bzw. Sach- und Umweltschäden führen kann, wenn sie nicht gemieden wird.



Information

... hebt nützliche Tipps und Empfehlungen sowie Informationen für einen effizienten und störungsfreien Betrieb hervor.



GEFAHR!

... kennzeichnet Gefährdungen durch elektrischen Strom. Bei Nichtbeachtung der Sicherheitshinweise besteht die Gefahr schwerer oder tödlicher Verletzungen.

D

2. Sicherheit



WARNUNG!

Vor Montage, Inbetriebnahme und Betrieb sicherstellen, dass das richtige Gerät hinsichtlich Messbereich, Ausführung und spezifischen Messbedingungen ausgewählt wurde.

Bei Nichtbeachten können schwere Körperverletzungen und/oder Sachschäden auftreten.



Weitere wichtige Sicherheitshinweise befinden sich in den einzelnen Kapiteln dieser Betriebsanleitung.

2.1 Bestimmungsgemäße Verwendung

Die Aufsteckanzeige Typ A-AI-1 ist zum Zwischenstecken zwischen einem Transmitter und dem dazugehörigen Ausgangsstecker (Winkelstecker) geeignet.

2018357.06.08/2012 GB/D

2. Sicherheit

Das Gerät ist ausschließlich für den hier beschriebenen bestimmungsgemäßen Verwendungszweck konzipiert und konstruiert und darf nur dementsprechend verwendet werden.

Die technischen Spezifikationen in dieser Betriebsanleitung sind einzuhalten. Eine unsachgemäße Handhabung oder ein Betreiben der Aufsteckanzeige außerhalb der technischen Spezifikationen macht die sofortige Stilllegung und Überprüfung durch einen autorisierten WIK A-Servicemitarbeiter erforderlich.

D

Elektronische Präzisionsmessgeräte mit erforderlicher Sorgfalt behandeln (vor Nässe, Stößen, starken Magnetfeldern, statische Elektrizität und extremen Temperaturen schützen, keine Gegenstände in das Gerät bzw. Öffnungen einführen). Stecker und Buchsen vor Verschmutzung schützen.

Wird das Gerät von einer kalten in eine warme Umgebung transportiert, so kann durch Kondensatbildung eine Störung der Gerätefunktion eintreten. Vor einer erneuten Inbetriebnahme die Angleichung der Gerätetemperatur an die Raumtemperatur abwarten.

Ansprüche jeglicher Art aufgrund von nicht bestimmungsgemäßer Verwendung sind ausgeschlossen.

2.2 Personalqualifikation

**WARNUNG!****Verletzungsgefahr bei unzureichender Qualifikation!**

Unsachgemäßer Umgang kann zu erheblichen Personen- und Sachschäden führen.

- Die in dieser Betriebsanleitung beschriebenen Tätigkeiten nur durch Fachpersonal nachfolgend beschriebener Qualifikation durchführen lassen.
- Unqualifiziertes Personal von den Gefahrenbereichen fernhalten.

Elektrofachpersonal

Das Elektrofachpersonal ist aufgrund seiner fachlichen Ausbildung, Kenntnisse und Erfahrungen sowie Kenntnis der landesspezifischen Vorschriften,

2018367,06 08/2012 GB/D

2. Sicherheit

geltenden Normen und Richtlinien in der Lage, Arbeiten an elektrischen Anlagen auszuführen und mögliche Gefahren selbstständig zu erkennen und zu vermeiden.

Das Elektrofachpersonal ist speziell für das Arbeitsumfeld, in dem es tätig ist, ausgebildet und kennt die relevanten Normen und Bestimmungen.

Das Elektrofachpersonal muss die Bestimmungen der geltenden gesetzlichen Vorschriften zur Unfallverhütung erfüllen.

D

2.3 Besondere Gefahren



GEFAHR!

Lebensgefahr durch elektrischen Strom

Bei Berührung mit spannungsführenden Teilen besteht unmittelbare Lebensgefahr.

Einbau und Montage des Gerätes dürfen nur durch Fachpersonal erfolgen.



WARNUNG!

Dieses Gerät nicht in Sicherheits- oder in Not-Aus-Einrichtungen benutzen. Fehlerhafte Anwendungen des Gerätes können zu Verletzungen oder materiellen Schäden führen.

Dieses Gerät ist gemäß den Sicherheitsbestimmungen für elektronische Messgeräte gebaut und geprüft.

Die einwandfreie Funktion und Betriebssicherheit des Gerätes kann nur dann gewährleistet werden, wenn bei der Benutzung die allgemein üblichen Sicherheitsvorkehrungen sowie die gerätespezifischen Sicherheitshinweise in dieser Bedienungsanleitung beachtet werden.



WARNUNG!

- Betriebsparameter gemäß Kapitel 3 "Technische Daten" beachten.
- Das Gerät vor dem Öffnen von der Versorgungsspannung trennen. Darauf achten, dass bei der Montage von Gerät und Anschlüssen alle Teile gegen direktes Berühren geschützt sind.

2018357_06 08/2012 GB/D

2. Sicherheit



WARNUNG!

- Die üblichen Vorschriften und Sicherheitsbestimmungen für Elektro-, Schwach- und Starkstromanlagen, insbesondere die landesüblichen Sicherheitsbestimmungen (z. B. VDE 0100) beachten.
- Die Beschaltung besonders sorgfältig beim Anschluss an andere Geräte (z. B. PC) konzipieren. Unter Umständen können interne Verbindungen in Fremdgeräten (z. B. Verbindung GND mit Schutzerde) zu nicht erlaubten Spannungspotentialen führen.
- Wenn die angeschlossene Leitung länger als 30 Meter ist oder das Gebäude verlässt, muss ein zusätzlicher geeigneter Überspannungsschutz verwendet werden.

D

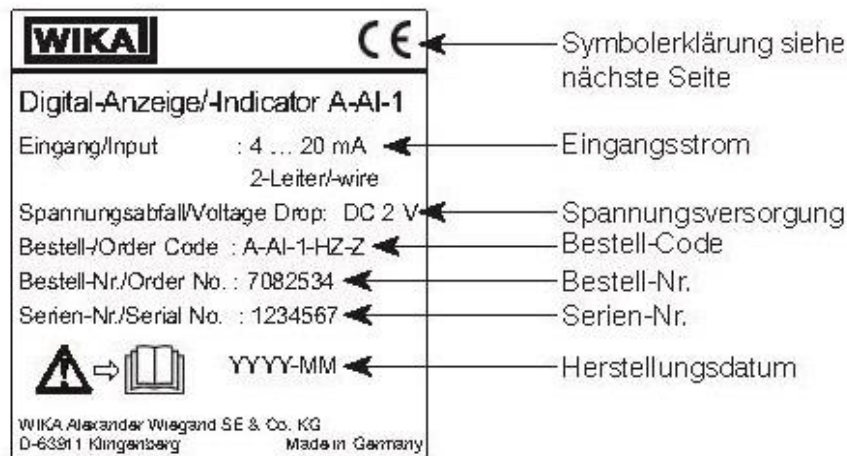
Die Sicherheit des Benutzers kann durch das Gerät beeinträchtigt sein, wenn es zum Beispiel:

- sichtbare Schäden aufweist.
- nicht mehr wie vorgeschrieben arbeitet.
- längere Zeit unter ungeeigneten Bedingungen gelagert wurde.

In Zweifelsfällen das Gerät grundsätzlich an den Hersteller zur Reparatur bzw. Wartung einschicken.

2.4 Beschilderung / Sicherheitskennzeichnungen

2.4.1 Typenschild



2018357.06.08/2012GB/D

2. Sicherheit / 3. Technische Daten

2.4.2 Symbolerklärung



Vor Montage und Inbetriebnahme des Gerätes unbedingt die Betriebsanleitung lesen!



CE, Communauté Européenne

Geräte mit dieser Kennzeichnung stimmen überein mit den zutreffenden europäischen Richtlinien.

D

3. Technische Daten

Aufsteckanzeige

Anzeige

Prinzip	7-Segment-LCD, 4-stellig, Ziffernhöhe 10 mm
Display-Anzeigebereich	-1999 ... 9999
Genauigkeit	$\pm 0,2$ % der Messspanne ± 1 Digit
Messrate	5 Messungen/sek

Spannungsversorgung

Elektrischer Anschluss	An Messumformer mit Ausgang 4 ... 20 mA und Winkelstecker nach DIN 17530 1-803 A.
Hilfsenergie	Nicht erforderlich, da die Aufsteckanzeige aus der 4 ... 20 mA-Schleife versorgt wird.
Spannungsabfall	ca. DC 2 V
Zulässige Strombelastbarkeit	max. 40 mA

Gehäuse

Material	ABS, Frontscheibe aus Polycarbonat
Schutzart	IP 65 nach EN 60529 / IEC 529
Abmessungen	48,5 x 48,5 mm
Gewicht	ca. 80 g

2018357,06.08/2012 GB/D

3. Technische Daten

Zulässige Umgebungsbedingungen

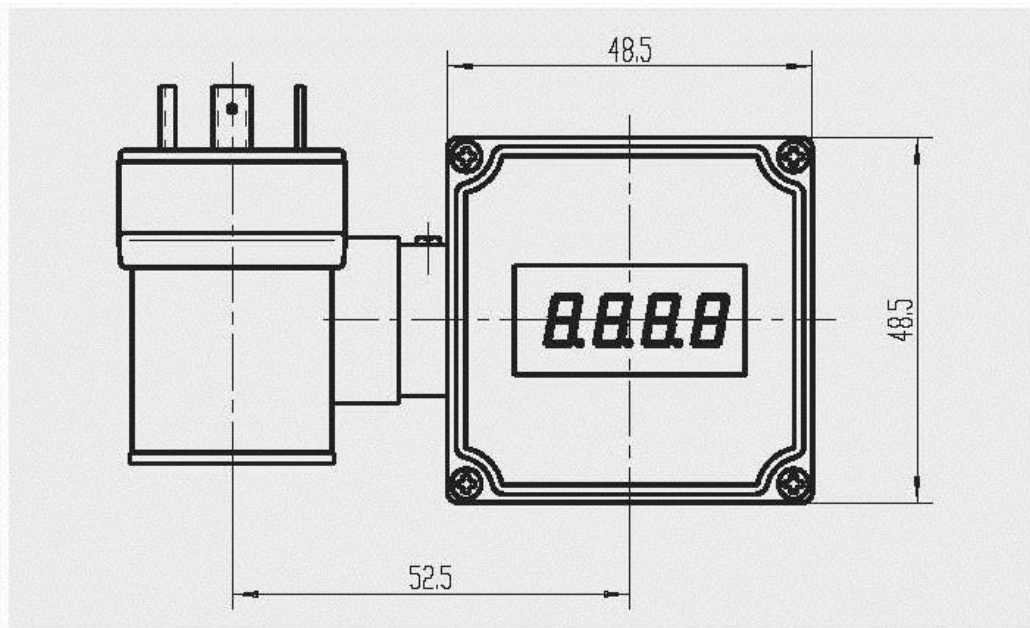
Betriebstemperatur	0 ... 50 °C
Lagertemperatur	-20 ... +70 °C
Relative Luftfeuchte	< 80 % r. F. nicht kondensierend
Temperatureinfluss auf die Anzeige	0,1 % / 10 K

D CE-Konformität

EMV-Richtlinie	2004/108/EG, EN 61326 Emission (Gruppe 1, Klasse B) und Störfestigkeit (industrieller Bereich)
----------------	--

Weitere technische Daten siehe WIKA Datenblatt AC 80.07 und Bestellunterlagen.

Abmessungen in mm



2018357.06.08/2012 GB/D

4. Aufbau und Funktion

4. Aufbau und Funktion

4.1 Beschreibung

Die Aufsteckanzeige Typ A-AI-1 ist ein universell einsetzbares, mikroprozessorgesteuertes Anzeigegerät für 4 ... 20 mA Normsignale. Sie benötigt keine eigene Hilfsspannung sondern versorgt sich direkt aus dem Messstrom. Die Anzeige des Messwertes erfolgt auf einem 4-stelligen LCD-Display mit einem maximalen Display-Anzeigebereich von -1999 ... 9999 Digit.

D

Die A-AI-1 ist für den Anschluss beliebiger Messumformer (mit 4 ... 20 mA Ausgang) ausgelegt. Die Bereichsanpassung des Anzeigegerätes an den Transmitter erfolgt ohne externe Hilfsmittel durch direkte Eingabe der oberen und unteren Messbereichsgrenze und der Dezimalpunktposition. Die Parameter und Grenzwerte werden über drei, nach Abnahme des Deckels, zugängliche Tasten eingegeben. Alle programmierbaren Parameter werden in einem EEPROM gesichert und bleiben bei Stromausfall für mindestens 10 Jahre erhalten.

Die Aufsteckanzeige hat eine integrierte Eigendiagnose, die ständig wesentliche Teile des Gerätes auf einwandfreie Funktion kontrolliert. Diese Eigendiagnose, sowie die Überwachung des Messwertaufnehmers auf Bereichsüber- bzw. Bereichsunterschreitung sind der Garant für eine hohe Betriebssicherheit.

Die Aufsteckanzeige wird geprüft und komplett kalibriert geliefert. Damit sie betriebsbereit ist, muss sie aber noch für die jeweilige Anwendung konfiguriert werden. Siehe Kapitel 6.3 "Konfiguration der Anzeige".

4.2 Lieferumfang

Der Lieferumfang umfasst folgende Teile:

- Aufsteckanzeige
- 2 Befestigungsschrauben (68 mm und 75 mm)
- Blaue Profildichtung
- Betriebsanleitung

Lieferumfang mit dem Lieferschein abgleichen.

2018357_06.08/2012_GB/D

5. Transport, Verpackung und Lagerung

5. Transport, Verpackung und Lagerung

5.1 Transport

Aufsteckanzeige auf eventuell vorhandene Transportschäden untersuchen. Offensichtliche Schäden unverzüglich mitteilen.

5.2 Verpackung

- D** Verpackung erst unmittelbar vor der Montage entfernen.
Die Verpackung aufbewahren, denn diese bietet bei einem Transport einen optimalen Schutz (z. B. wechselnder Einbauort, Reparatsendung).

5.3 Lagerung

Zulässige Bedingungen am Lagerort:

- Lagertemperatur: -20 ... +70 °C
- Feuchtigkeit: 0 ... 80 % r. F. (keine Betauung)

Folgende Einflüsse vermeiden:

- Direktes Sonnenlicht oder Nähe zu heißen Gegenständen
- Mechanische Vibration, mechanischer Schock (hartes Aufstellen)
- Ruß, Dampf, Staub und korrosive Gase
- Explosionsgefährdete Umgebung, entzündliche Atmosphären

Die Aufsteckanzeige in der Originalverpackung an einem Ort lagern, der die oben gelisteten Bedingungen erfüllt. Wenn die Originalverpackung nicht vorhanden ist, dann das Gerät wie folgt verpacken und lagern:

1. Das Gerät in eine antistatische Plastikfolie einhüllen.
2. Das Gerät mit dem Dämmmaterial in der Verpackung platzieren.
3. Bei längerer Einlagerung (mehr als 30 Tage) einen Beutel mit Trocknungsmittel der Verpackung beilegen.



WARNUNG!

Vor der Einlagerung des Gerätes (nach Betrieb) alle anhaftenden Messstoffreste entfernen. Dies ist besonders wichtig, wenn der Messstoff gesundheitsgefährdend ist, wie z. B. ätzend, giftig, krebserregend, radioaktiv, usw.

2018357.06.08/2012 GB/D

6. Inbetriebnahme, Betrieb

6. Inbetriebnahme, Betrieb

6.1 Elektrischer Anschluss

Der Anschluss der Aufsteckanzeige erfolgt durch einfaches Dazwischenstecken an einen vorhandenen Transmitter mit Hilfe einer Spezial-Adapterkonstruktion für Würfelstecker nach DIN 175301-803 A.

Es ist keine separate Versorgungsspannung notwendig, da sich das Gerät direkt aus dem Messstrom versorgt.

D



Der Anschluss bzw. die Inbetriebnahme darf nur durch fachlich qualifizierte Personen erfolgen. Bei falschem Anschluss kann das Anzeigegerät zerstört werden!



VORSICHT!

Unbedingt den max. zulässigen Eingangsstrom von 40 mA beachten!

6.2 Anschlussbelegung

Die Winkelsteckerbelegung ist auf die gebräuchlichste Belegung des jeweiligen Eingangssignals ausgelegt. Da diese Belegung jedoch nicht genormt ist, kann es vorkommen, dass die Belegung des anzuschließenden Transmitters nicht mit der Belegung der Aufsteckanzeige übereinstimmt.

Standard-Belegung des Winkelsteckers Typ A-AI-1

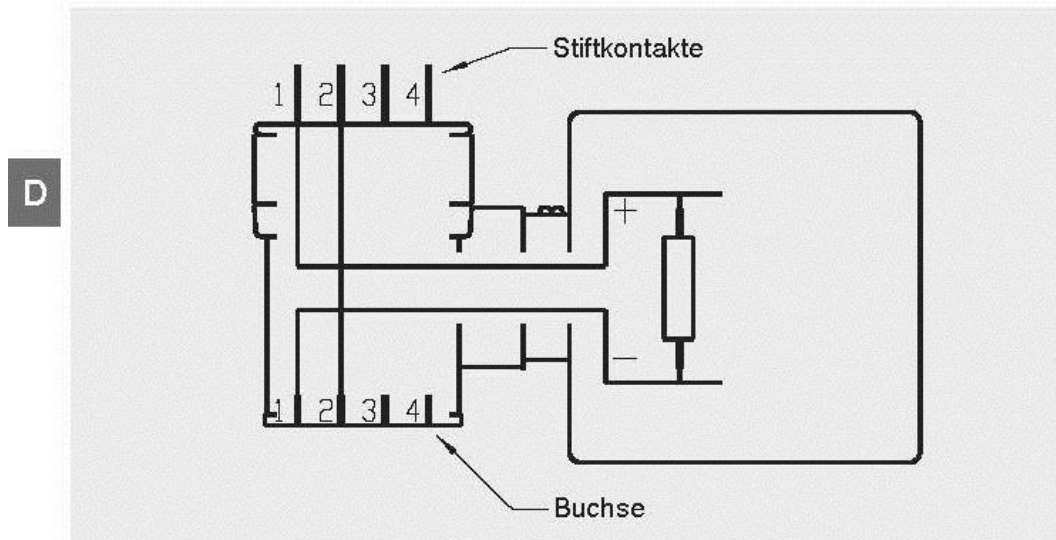
Kontakt-Nr.	Adernfarbe	Stift	Buchse
1	grau	Anzeige +	Anzeige -
2	rot	verbunden	
3	--	n.c.	n.c.
4	--	n.c.	n.c.

n.c. = not connected

2018357.06.08/2012 GB/D

6. Inbetriebnahme, Betrieb

Im Winkelstecker ist der Stiftkontakt 2 direkt 1:1 mit der Buchse verbunden. Zwischen Stiftkontakt 1 (+) und Buchsenkontakt 1 (-) befindet sich die A-AI-1.



Hat der anzuschließende Transmitter den negativen Versorgungsanschluss nicht auf Kontakt 2 und den positiven Versorgungsanschluss nicht auf Kontakt 1, so muss die Belegung des Winkelsteckers der A-AI-1 und des externen Winkelsteckers dementsprechend angepasst werden. Hierzu den Winkelstecker der A-AI-1 öffnen und die Drähte von Kontakt 1 und Kontakt 2 so austauschen, dass diese dem Anschluss des anzuschließenden Transmitters entsprechen.

Nun noch die beiden Kontakte im Winkelstecker der Zuleitung entsprechend verdrahten.

Allgemeine Hinweise zum Ändern der Winkelsteckerbelegung

Den Kupplungseinsatz mit Hilfe eines Schraubendrehers an der entsprechenden seitlichen Vertiefung heraus anheben. Die Belegung entsprechend der Hinweise des jeweiligen Eingangssignals ändern.

Den Kupplungseinsatz nun wieder in die Abdeckkappe einschnappen. Es stehen hierbei 4 verschiedene - jeweils um 90° gedrehte - Ausgangsrichtungen zur Auswahl. Den Winkelstecker aufstecken und mit der mitgelieferten längeren Schraube die Stecker zusammenschrauben (Dichtungen nicht vergessen).

2018357_06.08/2012_GB/D

6. Inbetriebnahme, Betrieb

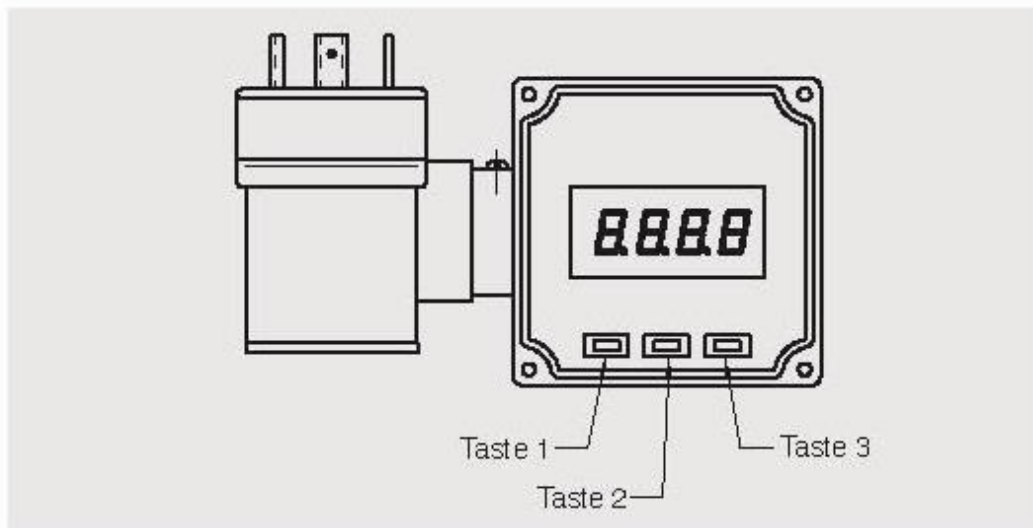
6.3 Konfiguration der Anzeige

Für die Konfiguration des Gerätes muss zuerst der Deckel vorsichtig abgenommen werden, um die darunter liegenden Tasten zu erreichen. Hierzu die vier Schrauben an den Ecken des Gehäuses lösen.

Bedientasten:

- Taste 1: Aufrufen von Menüpunkten und Speichern von Einstellungen
Taste 2: Erhöhen der Parameterwerte
Taste 3: Erniedrigen der Parameterwerte

D



Nach Abnahme des Gehäusedeckels zur Konfiguration des Gerätes wie folgt vorgehen:

- Um in das Menü zu gelangen, während der Istwertanzeige Taste 2 für 2 Sekunden drücken, bis im Display "dP" erscheint.
- Zur Einstellung der Parameterwerte die Tasten 2 und 3 drücken.
- Zum Speichern des eingestellten Wertes die Taste 1 drücken. Anschließend erscheint der Parametername wieder im Display.
- Um zum nächsten Parameter zu wechseln, Taste 1 drücken. Der Name des Parameters erscheint im Display.



Wird bei der Eingabe länger als 60 Sekunden keine Taste gedrückt, so wird die Konfiguration des Gerätes abgebrochen. Bereits gespeicherte Werte gehen nicht verloren.

6. Inbetriebnahme, Betrieb

Parameter der Aufsteckanzeige Typ A-AI-1

Parameter	Werte	Bedeutung
Taste 1	Tasten 2 und 3	
dP	Position des Dezimalpunktes (decimal point)	
	---	Max. Display-Anzeigebereich: -1999 ... 9999
	---.	Max. Display-Anzeigebereich: -199,9 ... 999,9
	-.--	Max. Display-Anzeigebereich: -19,99 ... 99,99
	-.---	Max. Display-Anzeigebereich: -1,999 ... 9,999
di.Lo	Untere Display-Anzeigebereichsgrenze (display low)	
	-1999 ... 9999	Dieser Wert wird bei Eingangssignal = 4 mA angezeigt
di.Hi	Obere Display-Anzeigebereichsgrenze (display high)	
	-1999 ... 9999	Dieser Wert wird bei Eingangssignal = 20 mA angezeigt
Li	Messbereichsbegrenzung (limit)	
	oFF	deaktiviert; Überschreitung der Messbereichsgrenzen bis zur Messgrenze (siehe Hinweis) ist zulässig.
	on.Er	aktiv, (Fehleranzeige); Messbereich ist genau auf das Eingangssignal begrenzt. Bei Über-/Unterschreitung wird eine entsprechende Fehlermeldung angezeigt.
	on.rG	aktiv, (Anzeige Messbereichsgrenze); Messbereich ist genau auf das Eingangssignal begrenzt. Bei Über-/Unterschreitung wird die Display-Anzeigebereichsgrenze angezeigt. z. B. für Feuchte 0 ... 100 % r.F; bei Unter-/Überschreitung wird weiter 0 bzw. 100 angezeigt
	Bei einer Unter-/Überschreitung der Messgrenzen wird unabhängig von der Limit-Einstellung immer die entsprechende Fehlermeldung ("Err.1" bzw. "Err.2") angezeigt. Die Messgrenzen liegen bei ca. 3,7 und 20,8 mA.	
FiL	Filter (filter)	
	oFF	Filter deaktiviert
	0.1 ... 2.0	Filter aktiviert, um das "Springen" der Anzeige bei kleinsten Änderungen zu vermeiden und um einzelne Störimpulse zu unterdrücken. Größere Zahlen bedeuten stärkere Filterung.

2018367.06.08/20.12.GB/D

6. Inbetriebnahme, Betrieb

Offset- und Steigungskorrektur

Die Offset- und Steigungskorrektur dient zum Ausgleich von Sensortoleranzen bzw. zur Feinjustierung von Abweichungen des Messumformers bzw. Signalgebers.

Zur Einstellung der Offset- und Steigungskorrektur wie folgt vorgehen:

- Während der Istwertanzeige die Taste 3 für 2 Sekunden drücken, bis im Display "oFFS" erscheint.
- Zur Einstellung der Parameterwerte die Tasten 2 und 3 drücken.
- Zum Speichern des eingestellten Wertes die Taste 1 drücken. Anschließend erscheint der Parametername wieder im Display.
- Um zum nächsten Parameter zu wechseln, Taste 1 drücken. Der Name des Parameters erscheint im Display.

D

Parameter	Werte	Bedeutung
Taste 1	Tasten 2 und 3	
oFFS	Nullpunktverschiebung (offset)	
	-5.00 ... 5.00	Die Eingabe des Offset erfolgt in Digit. Der eingestellte Offsetwert wird von dem gemessenen Wert abgezogen.
ScAL	Steigung (scale)	
	-5.00 ... 5.00	Die Eingabe der Steigungskorrektur erfolgt in %. Der Anzeigewert wird nach folgender Formel berechnet: Anzeige = (gemessener Wert - Offset - di.Lo) * (1 + Steigungskorrektur [% / 100]) + di.Lo

Beispiel für Offset- und Steigungskorrektur

Anschluss eines Druckmessumformers

Die Geräteanzeige ohne Offset und Steigungskorrektur ist wie folgt:

bei 0 bar = 0,08, bei 20 bar = 20,02

Hieraus errechnet sich:

Nullpunkt: 0,08

Steigung: 20,02 – 0,08 = 19,94

Abweichung: 0,06 = Soll-Steigung - Ist-Steigung = 20,00 – 19,94

Daher sind einzustellen:

Offset = 0.08 = Nullpunktabweichung

Scale = 0.30 = Abweichung / Ist-Steigung = 0,06 / 19,94 = 0,0030 = 0,30 %

2018357-06 08/2012 GB/D

6. Inbetriebnahme, Betrieb / 7. Wartung und Reinigung

Min-/Max-Wertspeicher

Das Gerät besitzt einen Min-/Max-Wertspeicher. Darin werden der niedrigste und der höchste Anzeigewert gespeichert. Der Min-/Max-Wertspeicher ist ein flüchtiger Speicher, d. h. die gespeicherten Messwerte gehen nach Abschalten der Hilfsenergie verloren.

	Taste	Anzeige
D	Abruf des Min-Wertes:	Taste 3 kurz drücken es wird kurz " Lo " und anschließend für ca. 2 s der Min-Wert angezeigt.
	Abruf des Max-Wertes:	Taste 2 kurz drücken es wird kurz " Hi " und anschließend für ca. 2 s der Max-Wert angezeigt.
	Löschen des Min-/Max-Wertes:	Taste 2 und 3 gleichzeitig für 2 s drücken es wird in der Anzeige kurz " CLR " angezeigt, der Min-/Max-Wert wird auf den aktuellen Anzeigewert zurückgesetzt.

7. Wartung und Reinigung

7.1 Wartung

Diese Aufsteckanzeige ist wartungsfrei.
Reparaturen sind ausschließlich vom Hersteller durchzuführen.

7.2 Reinigung



VORSICHT!

- Vor der Reinigung die Aufsteckanzeige ordnungsgemäß von vom Netz trennen.
- Das Gerät mit einem feuchten Tuch reinigen.
- Elektrische Anschlüsse nicht mit Feuchtigkeit in Berührung bringen.



Hinweise zur Rücksendung der Aufsteckanzeige siehe Kapitel 9.2 "Rücksendung".

2018357.06.08/2012 GB/D

8. Störungen

8. Störungen

Erkennt das Gerät unzulässige Betriebszustände, wird ein entsprechender Fehlercode angezeigt.

Folgende Fehlercodes sind definiert:

Fehler	Ursachen	Maßnahmen
Err.1 Messbereich überschritten	<ul style="list-style-type: none"> ■ Eingangssignal zu groß ■ Fehlanschluss 	<ul style="list-style-type: none"> ■ Die Fehlermeldung wird zurückgesetzt, sobald das Eingangssignal wieder innerhalb der zugelassenen Grenzen liegt. ■ Messumformer und Gerätekonfiguration überprüfen (z. B. Eingangssignal).
Err.2 Messbereich unterschritten	<ul style="list-style-type: none"> ■ Eingangssignal zu klein bzw. negativ ■ Strom kleiner 4 mA ■ Fühlerbruch 	<ul style="list-style-type: none"> ■ Die Fehlermeldung wird zurückgesetzt, sobald das Eingangssignal wieder innerhalb der zugelassenen Grenzen liegt. ■ Messumformer und Gerätekonfiguration überprüfen (z. B. Eingangssignal).
Err.3 Display-Anzeigebereich überschritten	<ul style="list-style-type: none"> ■ Skalierung fehlerhaft 	<ul style="list-style-type: none"> ■ Die Fehlermeldung wird zurückgesetzt, sobald der Anzeigewert wieder < 9999 ist.
Err.4 Display-Anzeigebereich unterschritten	<ul style="list-style-type: none"> ■ Skalierung fehlerhaft 	<ul style="list-style-type: none"> ■ Die Fehlermeldung wird zurückgesetzt, sobald der Anzeigewert wieder innerhalb der zugelassenen Grenzen liegt.
Err.7 Systemfehler	<ul style="list-style-type: none"> ■ zulässige Betriebstemperatur über- bzw. unterschritten ■ Gerät defekt 	<ul style="list-style-type: none"> ■ Betriebstemperatur einhalten ■ Gerät austauschen
Er.11 Wert konnte nicht berechnet werden	<ul style="list-style-type: none"> ■ Skalierung fehlerhaft 	<ul style="list-style-type: none"> ■ Einstellung und Eingangssignal überprüfen

D

2018357.06.08/2012 GB/D

8. Störungen / 9. Demontage, Rücksendung und Entsorgung**VORSICHT!**

Können Störungen mit Hilfe der oben aufgeführten Maßnahmen nicht beseitigt werden, ist die Aufsteckanzeige unverzüglich außer Betrieb zu setzen, sicherzustellen, dass kein Signal mehr anliegt und gegen versehentliche Inbetriebnahme zu schützen.

In diesem Falle Kontakt mit dem Hersteller aufnehmen.

Bei notwendiger Rücksendung die Hinweise unter Kapitel 9.2 "Rücksendung" beachten.

D**9. Demontage, Rücksendung und Entsorgung****WARNUNG!**

Messstoffreste in ausgebauten Geräten können zur Gefährdung von Personen, Umwelt und Einrichtung führen. Ausreichende Vorsichtsmaßnahmen ergreifen.

9.1 Demontage

Zunächst die Stromversorgung trennen, anschließend die Winkelschraube, mit der Winkelstecker, Aufsteckanzeige und Transmitter verbunden sind, lösen. Stecker und Aufsteckanzeige entfernen. Danach Winkelstecker wieder auf den Transmitter aufstecken und festschrauben. Hierzu die Schraube aus dem Originalzubehör des Transmitters verwenden, diese ist kürzer.

9.2 Rücksendung**WARNUNG!****Beim Versand der Aufsteckanzeige unbedingt beachten:**

Alle an WIKA gelieferten Geräte müssen frei von Gefahrstoffen (Säuren, Laugen, Lösungen, etc.) sein.

Zur Rücksendung des Gerätes die Originalverpackung oder eine geeignete Transportverpackung verwenden.

2018357.06.08/2012.GB/D

9. Demontage, Rücksendung und Entsorgung

Um Schäden zu vermeiden:

1. Das Gerät in eine antistatische Plastikfolie einhüllen.
2. Das Gerät mit dem Dämmmaterial in der Verpackung platzieren. Zu allen Seiten der Transportverpackung gleichmäßig dämmen.
3. Wenn möglich einen Beutel mit Trocknungsmittel der Verpackung beifügen.
4. Sendung als Transport eines hochempfindlichen Messgerätes kennzeichnen.

D



Hinweise zur Rücksendung befinden sich in der Rubrik „Service“ auf unserer lokalen Internetseite.

9.3 Entsorgung

Durch falsche Entsorgung können Gefahren für die Umwelt entstehen. Gerätekomponenten und Verpackungsmaterialien entsprechend den landesspezifischen Abfallbehandlungs- und Entsorgungsvorschriften umweltgerecht entsorgen.